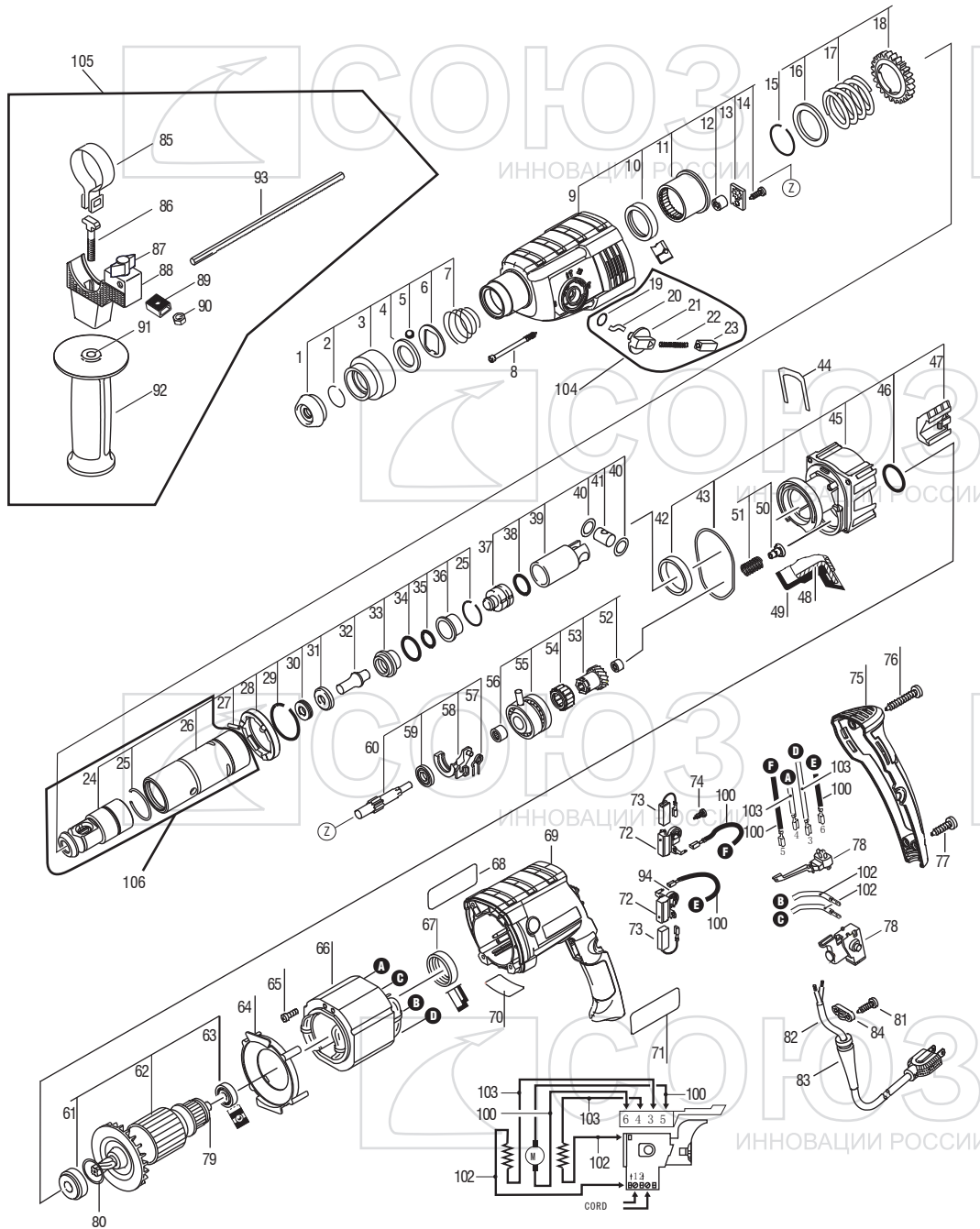


ПЕС-2585



NO.	DESCRIPTION	NO.	DESCRIPTION
1	DUST CUP	51	SPRING
2	SPRING RING	52	NEEDLE BEARING HK0609
3	LOCKING SLEEVE	53	GEAR
4	WASHER OF DUST CUP	54	BEARING K15
5	STEEL BALL	55	AWAY-POLED BEARING
6	WASHER	56	NEEDLE BEARING HK0908
7	TOWER-SHAPED SPRING	57	"CIRCLIP "
8	SELF-TAPPING SCREW	58	FORK
9	GEAR BOX	59	BEARING 699Z
10	OIL SEAL	60	MID-SHAFT
11	PULL-THUST SET	61	BEARING 609Z
12	NEEDLE BEARINGHK0709	62	ROTOR
13	WASHER	63	BEARING 607Z
14	SELF-TAPPING SCREW	64	WIND GUIDE
15	SPRING RING	65	SELF-TAPPING SCREW
16	SLEEVE WASHER	66	STATOR
17	SLEEVE SPRING	67	BEARING BUSH
18	BIG GEAR	68	LABEL 1
19	O-RING	69	HOUSING
20	IRON CORE	70	LABEL 2
21	KNOB	71	LABEL 3
22	SPRING	72	BRUSH HOLDER
23	LOCKING KNOB	73	CARBON BRUSH
24	DRILLCOVER	74	SELF-TAPPING SCREW
25	"CIRCLIP "	75	HOUSING COVER
26	DRILL COVER CONNECTOR	76	SELF-TAPPING SCREW
27	PISTION KEY	77	SELF-TAPPING SCREW
28	POSITION-LIMITED RING	78	SWITCH
29	"CIRCLIP "	79	INSULATION PIECE
30	OIL SEAL	80	BEARING WASHER
31	POSITION-LIMITED SLEEVE OF SPINDLE	81	SELF-TAPPING SCREW
32	HAMMER SPINDLE	82	CABLE
33	SPINDLE SETS	83	CABLE SLEEVE
34	O-RING	84	CABLE CLAMP
35	O-RING	85	HANDLE RING
36	LIMITED COVER	86	SCREW
37	PISTON	87	KNOB
38	O-RING	88	HANDLE COVER
39	CYLINDER	89	RULER BOX
40	WASHER	90	NUTM6
41	PIN	91	NUT M8
42	BRACKET SLEEVE	92	HANDLE
43	O-RING	93	RULER
44	BRACKET SUPPORT	94	BRUSH HOLER SPRING
45	BRACKET	100	INTERNAL CABLE 1
46	O-RING	102	INTERNAL CABLE 2
47	COVER	103	INTERNAL CABLE 3
48	RUBBER WASHER	104	CHANGE KNOB ASSI
49	CAM WASHER	105	AUXILIARY HANDLE
50	SPRING SUPPORT	106	BIT HOLDER ASS